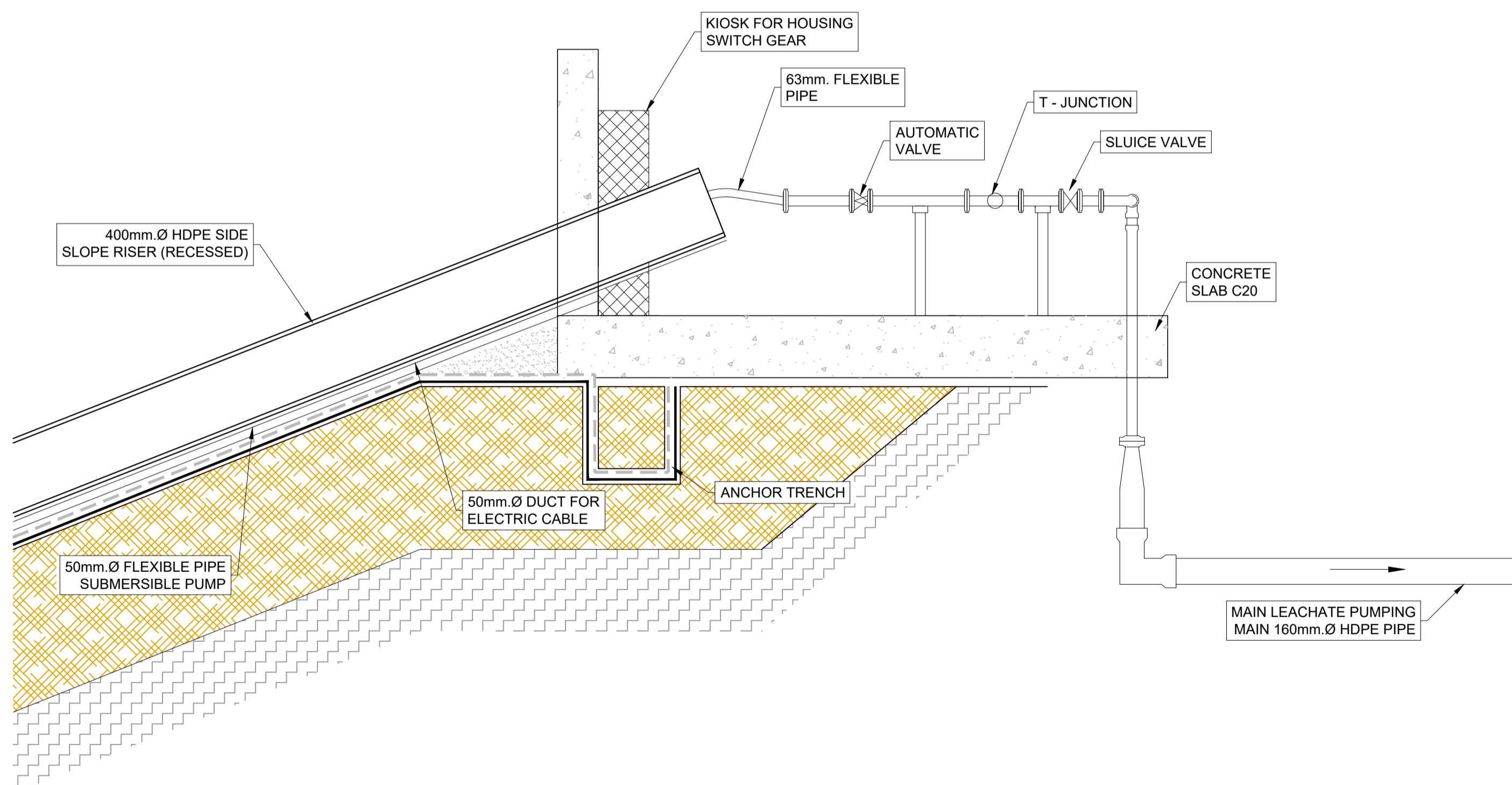


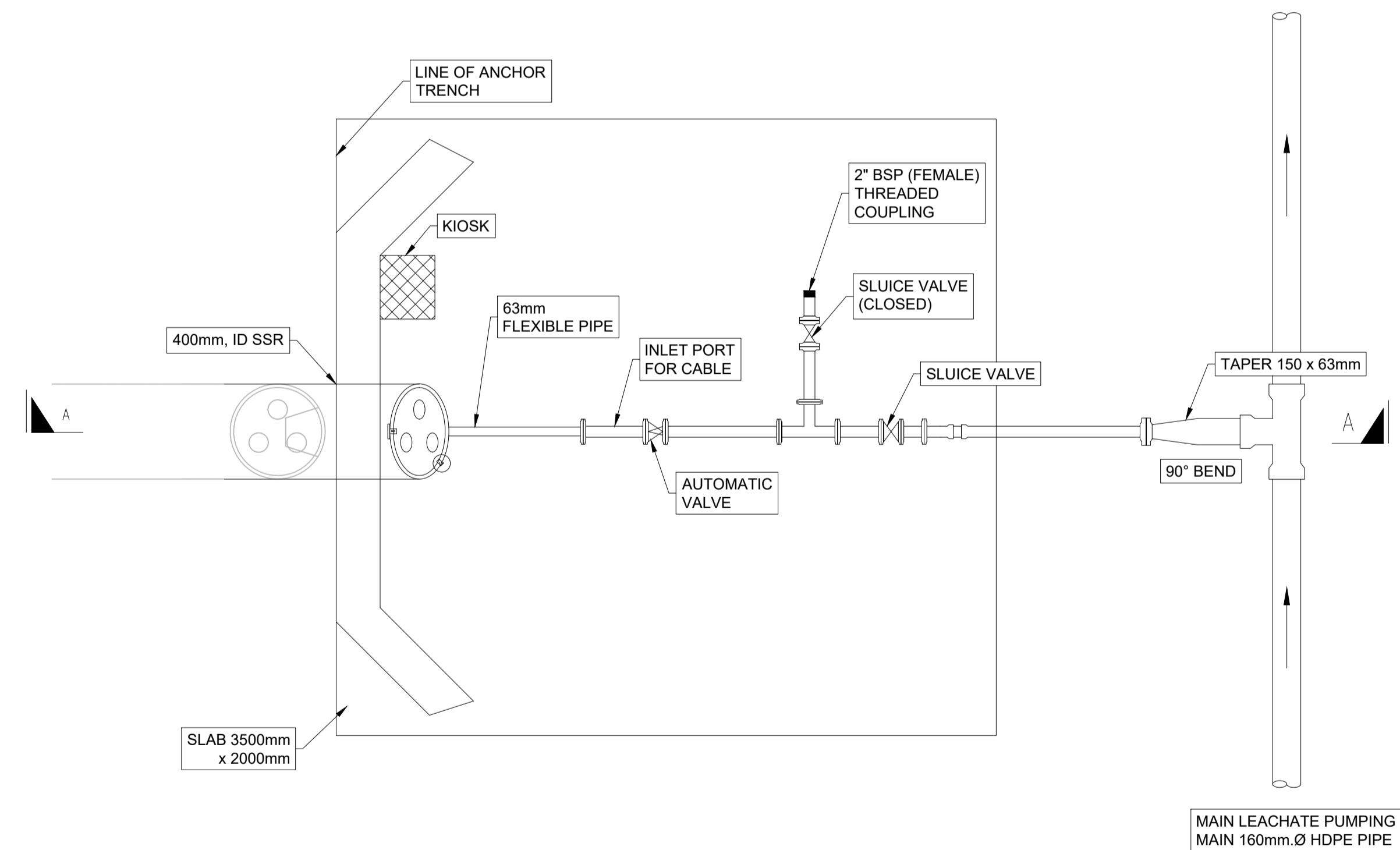
**TYPICAL DETAIL OF COLLECTION CHAMBER & SIDE SLOPE RISER**

Scale 1:25 @A1



**SECTION A-A  
TYPICAL SIDE SLOPE RISER - HEADWALL**

Scale 1:25 @A1



**PLAN  
TYPICAL SIDE SLOPE RISER DETAIL FOR JUNCTION**

Scale 1:25 @A1

U:\MDR1492-IMS Hollywood Environmental Services\8.0 Drawings\DWG\MDR1492-RPS-00-XX-DR-C-DG2009 - Typical Leachate Collection Details.dwg

Client



**General Notes**  
 (i) Hard copies, dwf and pdf will form a controlled issue of the drawing. All other formats (dwg etc.) are deemed to be an uncontrolled issue and any work carried out based on these files is at the recipient's own risk. RPS will not accept any responsibility for any errors from the use of these files, either by human error by the recipient, listing of the un-dimensioned measurements, compatibility with the recipient's software, and any errors arising when these files are used to aid the recipient's drawing production, or setting out on site.  
 (ii) DO NOT SCALE, use figured dimensions only.

(iii) This drawing is the property of RPS, it is a project confidential classified document. It must not be copied or its contents divulged without prior written consent. The needs and expectations of client and RPS must be considered when working with this drawing.  
 (iv) Information including topographical survey, geotechnical investigation and utility detail used in the design have been provided by others.  
 (v) All Levels refer to Ordnance Survey Datum, Malin Head.

Rev	Date	Drawn By	Amendment / Issue	App
P04	18.10.22	PC	Issue for Review	PC
P03	20.09.22	PC	Issue for Review	PC
P02	23/06/22	PC	Issue for Review	PC
P01	04/10/19	PH	Issue for Review	KG



Model File Identifier

Scale: AS SHOWN @ A1 @ A3  
 Created on: NOV 18  
 Sheets: 01 of 02  
 File Identifier: MDR1492-RPS-00-XX-DR-C-DG2009

Project: **INTEGRATED WASTE MANAGEMENT FACILITY AT HOLLYWOOD CIRCULAR ECONOMY CAMPUS**  
 Title: **PLANNING APPLICATION: TYPICAL LEACHATE COLLECTION DETAILS SHEET 1 OF 2**  
 Status: S3  
 Rev: P04